

INSTALLATION GUIDE

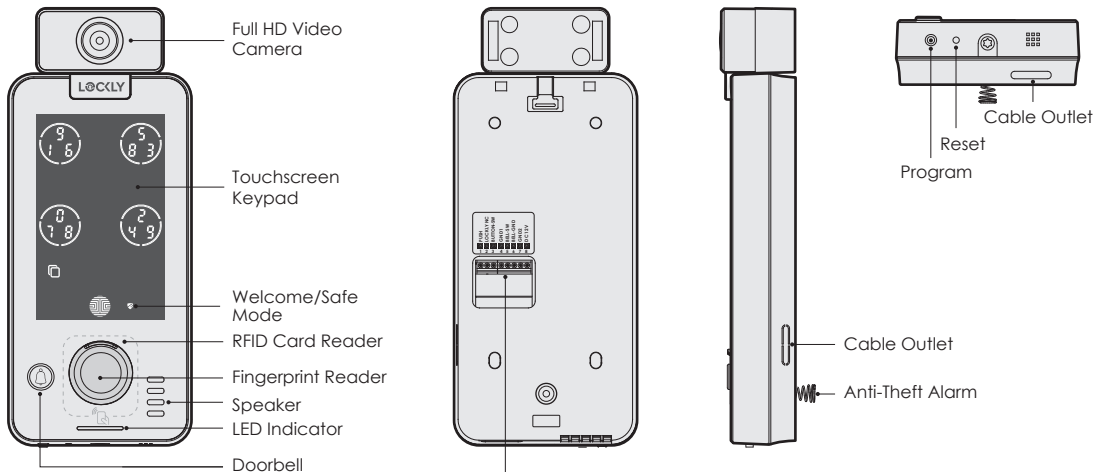



LOCKLY **GUARD**[™] **VISION INGRESS 303W**

SMART ACCESS CONTROL + VIDEO DOORBELL

For commercial use & professional installation

Section 1 - Product Overview



1	PUSH	Lock Control Port	 To ensure the device works properly, please make sure the wires are connected according to this diagram.	
2	LOCKLY NC	Door Open Detection Port		
3	BUTTON-SW	Door Exit Button Port	Wiegand 26 Data 0	
4	GND1	Door Exit Button Port	Doorbell Button Port - and Doorbell GND	Wiegand 26 GND 1
5	BELL-SW	Doorbell Button Port	Wiegand 26 Data 1	
6	BELL	Doorbell Signal Port - Grounded (GND)		
7	GND2	Access Control Power -	Doorbell Power -	
8	DC12V	Access Control Power +	Doorbell Power +	

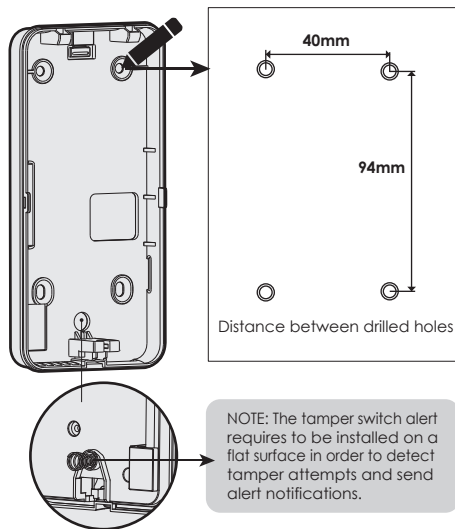
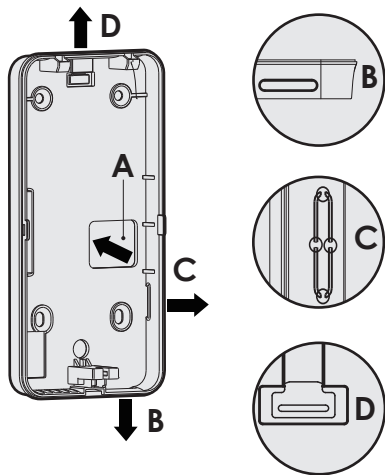
Before installing, please refer to page P4-P8 of the user manual to select the suitable installation scenario. Connect the cables of the devices and accessories to Lockly Guard Vision Ingress according to the wiring diagram. Then, install Lockly Guard Vision Ingress by following Steps 3 & 4.

Section 3- Installing the Mounting Plate

1. The mounting plate has 4 cable outlet holes. Please select the appropriate outlet hole according to the required wiring direction. If you need to use the side outlet (C/D), please remove the C or D hole cover before installation so the cable can pass through it.

2. Position the mounting plate on a flat surface or wall as to where it will be installed. Mark the 4 holes with a pencil.

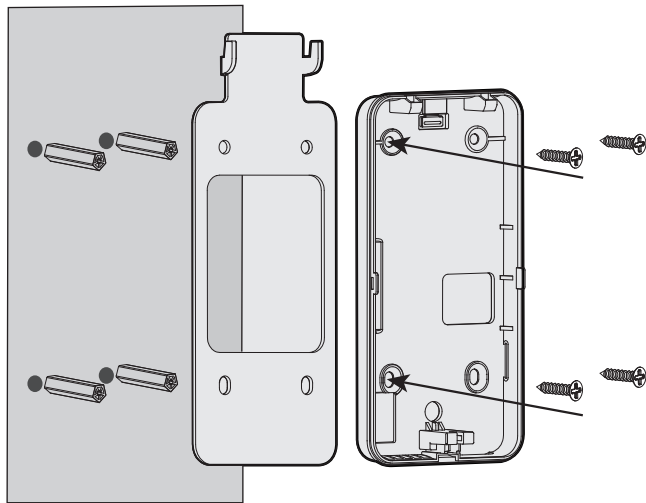
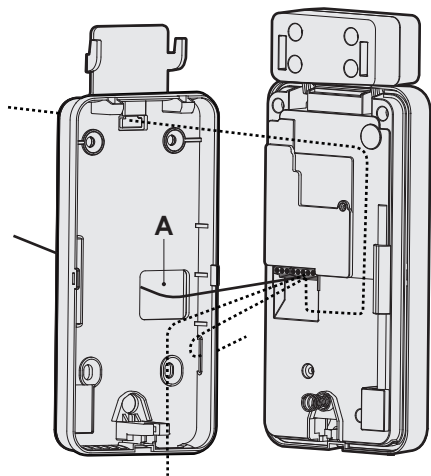
Drill holes with 6mm (diameter) and 30mm depth.



Section 3- Installing the Mounting Plate (cont...)

3. If you need to pass through a cable on wire outlet (A), insert the cable first before installing the mounting plate on the wall.

4. Insert the plastic wall plugs on the drilled holes. Secure the mounting plate with screws.

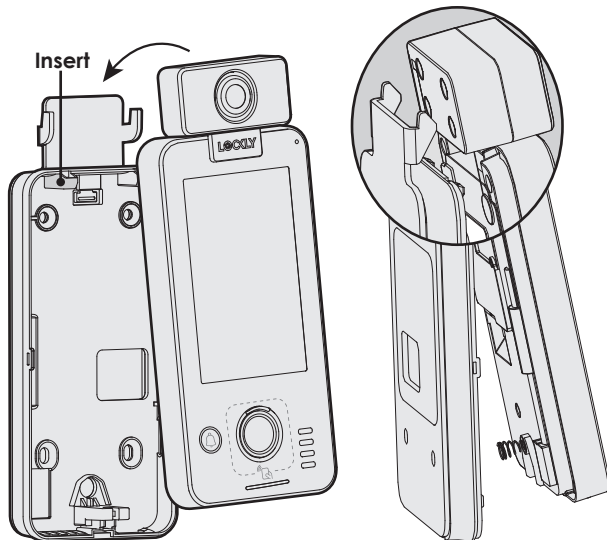


QUICK TIP

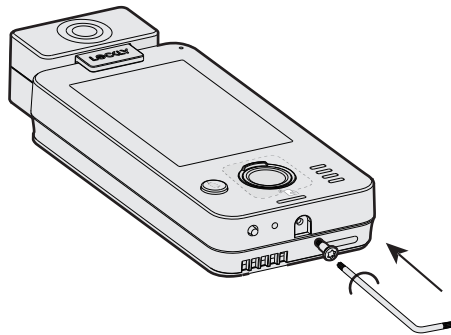
Note: The wiring cable should be not crossing or overlapping.

Section 4 - Installing Lockly Guard Vision Ingress

1. Align Vision Ingress from the top of the mounting plate then insert till it reaches the bottom of the plate. Ensure Vision Ingress and video camera are completely tucked.



2. Use the provided allen key to tighten the screw at the bottom by turning it clockwise.



LOCKLY PRO™

TOTAL ACCESS SOLUTION



We're here to help!
prosales@lockly.com
locklypro.com/support

© Copyright 2023 Lockly All rights reserved

USA Patent NO. US 9,881,146 B2 | USA Patent NO. US 9,853,815 B2 | USA Patent NO. US 9,875,350 B2 | USA Patent NO. US 9,665,706 B2 | USA Patent NO. US 11,010,463 B2 | AU Patent NO. 2013403169 | AU Patent NO. 2014391959 | AU Patent NO. 2016412123 | UK Patent NO. EP3059689B1 | UK Patent NO. EP3176722B1 | Other Patents Pending

The Bluetooth® word mark and logos are registered trademarks owned by the Bluetooth SIG, Inc. , and any use of such marks by Lockly is under license. Other trademarks and trade names are those of their respective owners. Google, Android and Google Play are trademarks of Google LLC.